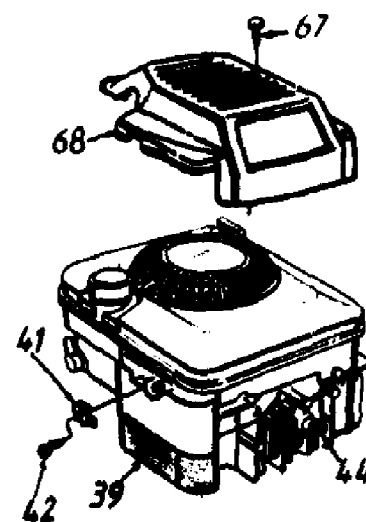
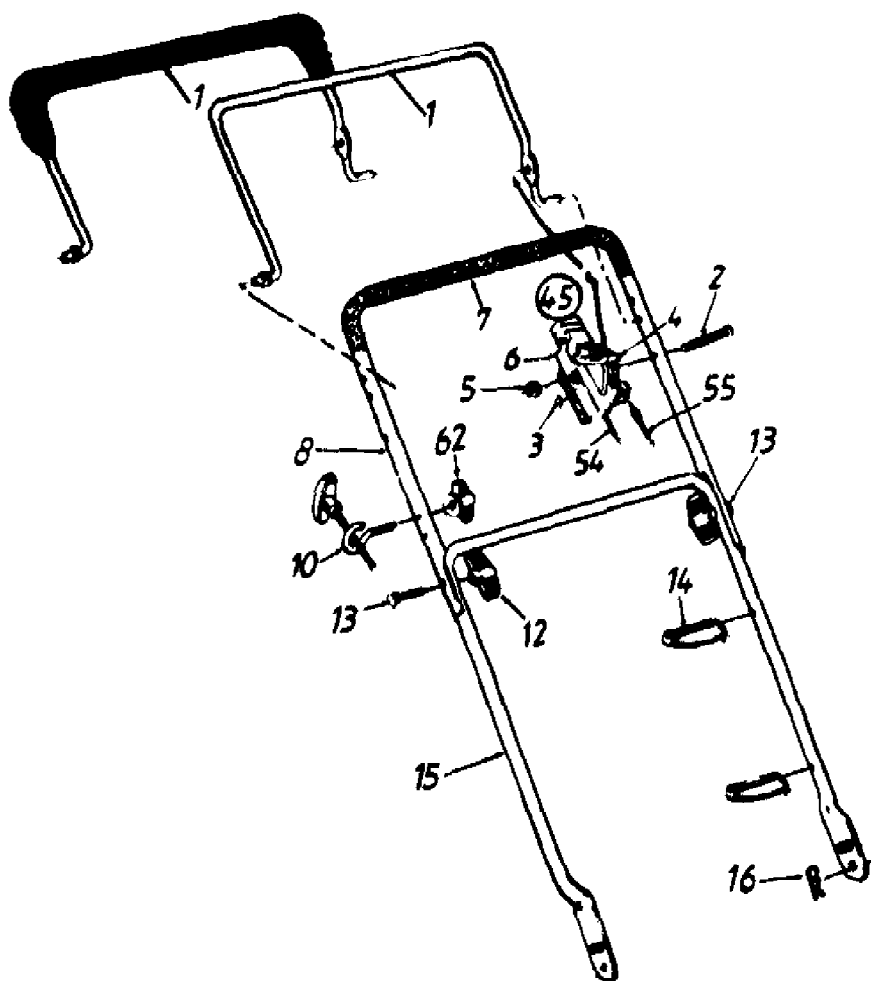


11A-702A190 LC-40 (1997)
Handle & Engine Shroud

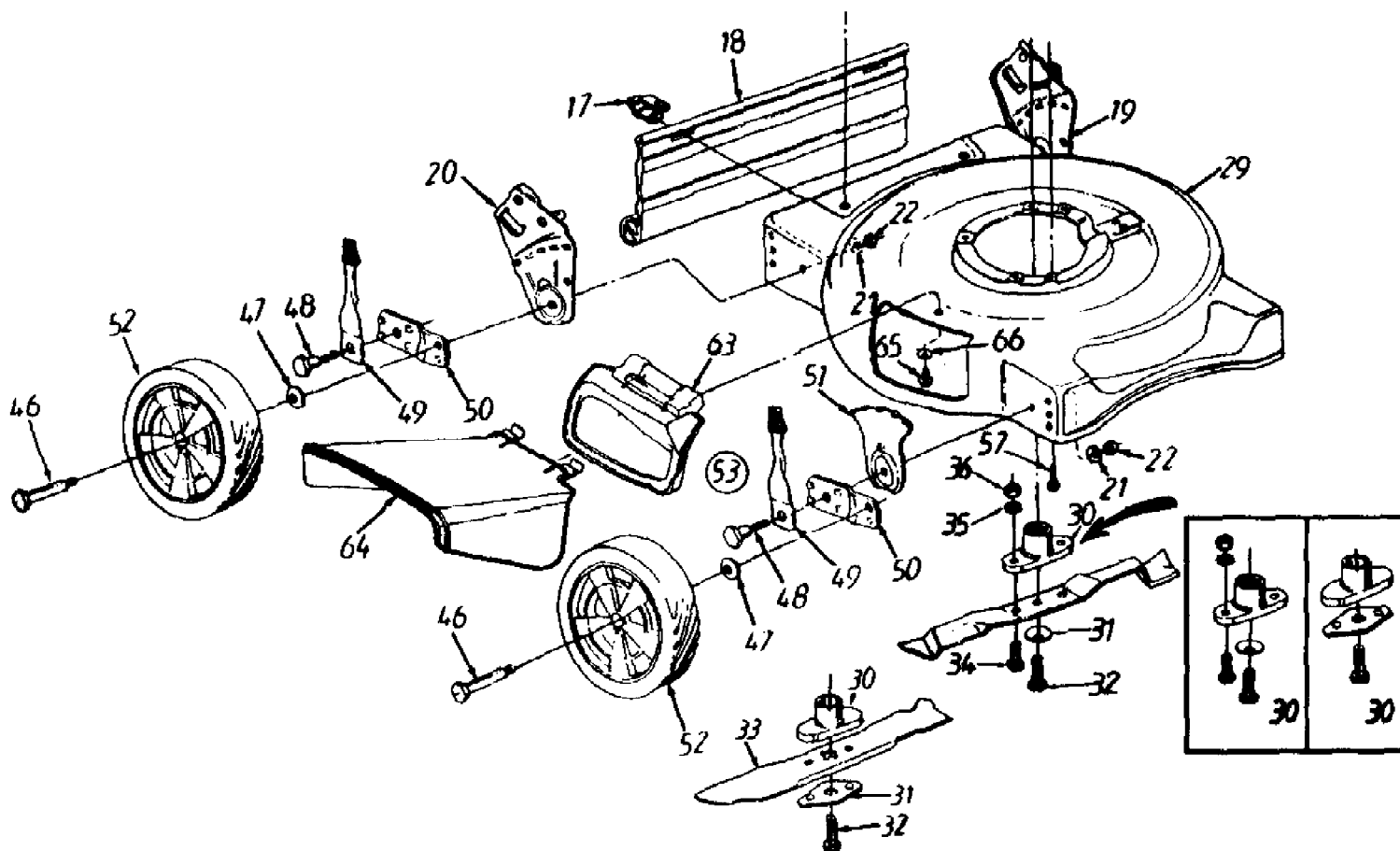


11A-702A190 LC-40 (1997)
Handle & Engine Shroud

Page 2 of 5

Ref #	Part Number	Qty	S/P/F	Description
1	647-0004	1		Control Hdle Ass'y. (106F)
	747-0824	1	S	Control Hdle Ass'y. (702A/E)
2	710-0605	1	/P	Oval C-Sunk Scr.
3	736-0501	1	S	Spr. Wash. .66" I.D.
4	746-0876	1	S	Throttle Lever
5	712-0324	1	/P	Hex L-Nut 1/4-20 Thd.
6	646-0875	1	S	Throttle Body
7	720-0226	1	S	Grip (106F)
8	749-0538C-0637	1	S	Upper Handle
10	710-1205	1	/P	Rope Guide
12	720-0276	1	S	Hand Knob
13	710-1174	1	/P	Cur. Hd. Bolt 5/16-18 x 2" L.
14	726-0240	1	S	Cable Tie
15	749-0928-0637	1	S	Lower Handle
16	714-0104	1	S	Hairpin Cotter
	742-0718	1	S	18" Mulch Blade (702A/E) Blade secured with 2 bolts.
	742-0740	1	S	20" Mulch Blade (106F) Blade secured with 1 bolt.
	742-0738	1	S	18" Mulch Blade (702A/E) Blade secured with 1 bolt.
39		1		Engine
41	751B213146	1	/P	Cable Clamp
42	710-1237	1		Hex S Tap Scr. #10-32 x .62"
44	735-0639	1	/P	Spark Plug Boot
?45	811-00185	1	S	Throttle Box Comp. (Incl. Ref. 2, 3, 4, 5, 6)
54	746-0842	1	S	Throttle Cable 51" Lg.
55	746-0553	1	S	Control Cable 36" Lg.
62	720-0279	1	/P	Handle Knob 1/4-20 Thd.
?63	682-7000	1	/P	Mulching Plug (106F)
	682-7002	1	/P	Mulching Plug (702A/E)
67	710-1256	1	/P	Hi-Lo Scr. #10 x 1.25" Lg. (106F)
68	751B281451	1	/P	Engine Shroud (106F)
	777-0148	1	S	Throttle Instruction Label
	777-0870	1		Danger Label (Cut Hand)
	777-1299	1	S	Warning Label (Chute Cover)
	777-3801A	1	S	Safety Label (Cur. Deck/106F) Code: N Notates a new part (not previously existing)
	777-1557	1		Danger Label (St. Deck/702A/E)
	777-4719	1		Decorative Label (Shroud/106F) Code: N Notates a new part (not previously existing)
	777-4852	1		Decorative Label (Hubcaps/106F) Code: N Notates a new part (not previously existing)

11A-702A190 LC-40 (1997)
Wheels, Blades, And Deck Ass'y



11A-702A190 LC-40 (1997)
Wheels, Blades, And Deck Ass'y

Page 4 of 5

Ref #	Part Number	Qty	S/P/F	Description
17	17098	1	S	Hinge Clip
18	731-1447	1		Rear Flap (106F)
	731-1028	1	/P	Rear Flap (702A/E)
19	12935B	1		Hdle Brkt. Assy. L.H. (106F)
	682-3001A	1	S	Hdle Brkt. Assy. L.H. (702A/E)
20	12936B	1		Hdle Brkt. Assy. R.H. (106F)
	682-3000A	1	S	Hdle Brkt. Assy. R.H. (702A/E)
21	736-0356	1	S	Bell-Wash. .39" I.D. x 1.38"
22	712-0798	1	/P/F	Hex Nut 3/8-16 Thd.
29	682-0016-0662	1		20" Deck Assy. (106F)
	682-0018-0662	1		18" Deck Assy. (702A/E)
30	753-0484	1		Blade Adapter Kit Blade secured with 2 bolts.
	753-0588	1	S	Blade Adapter Kit Blade secured with 1 bolt.
31	736-0452	1	S	Bell-Wash. .46" I.D. Blade secured with 2 bolts.
	736-0524A	1	S	Blade Bell Support Code: N Notates a new part (not previously existing)
32	710-1044	1	/P	Hex Bolt 7/16-20 x 1.5" Lg.
33	742-0720	1	S	20" Mulch Blade (106F) Blade secured with 2 bolts.
	742-0718	1	S	18" Mulch Blade (702A/E) Blade secured with 2 bolts.
	742-0740	1	S	20" Mulch Blade (106F) Blade secured with 1 bolt.
	742-0738	1	S	18" Mulch Blade (702A/E) Blade secured with 1 bolt.
34	710-1055	1	/P	Hex Bolt 3/8-24 x 1" Lg. Blade secured with 2 bolts.
35	736-0169	1	S/F	L-Wash. 3/8" I.D. Blade secured with 2 bolts.
36	712-0241	1	/P	Hex Nut 3/8-24 Thd. Blade secured with 2 bolts.
?45	811-00185	1	S	Throttle Box Comp. (Incl. Ref. 2, 3, 4, 5, 6)
46	738-0102	1	S	Axle Bolt
47	736-0105	1	/P	Bell-Wash. .400" I.D. x .88"
48	738-0507B	1	S	Shld. Bolt .50" Dia. x .357"
49	14832	1	S	Spring Lever Assy. w/Knob
50	15262B	1	/P	Pivot Bar
51	15261A	1	S	Height Adj. Plate
52	734-1819	1	S	Wheel Assy. Comp. Code: N Notates a new part (not previously existing)
53	14578	1	/P	Ht Adj. Assy. Comp. R.F. & L.R.
	14579	1		Ht Adj. Assy. Comp. L.F. & R.R.
?55	746-0553	1	S	Control Cable 36" Lg.
57	710-0654A	1	/P	Hex L-Wash. Hd. Scr. 3/8-16 x 1.0" Lg.
63	682-7000	1	/P	Mulching Plug (106F)
	682-7002	1	/P	Mulching Plug (702A/E)
64	731-1409	1	S	Chute Deflector
65	736-0270	1	/P	Bell-Wash. 1/4" I.D.
66	710-0599	1		TT-Tap Scr. 1/4-20 x .5" Lg.

11A-702A190 LC-40 (1997)
Wheels, Blades, And Deck Ass'y

Page 5 of 5

Ref #	Part Number	Qty	S/P/F	Description
	777-0148	1	S	Throttle Instruction Label
	777-0870	1		Danger Label (Cut Hand)
	777-1299	1	S	Warning Label (Chute Cover)
	777-3801A	1	S	Safety Label (Cur. Deck/106F) Code: N Notates a new part (not previously existing)
	777-1557	1		Danger Label (St. Deck/702A/E)
	777-4719	1		Decorative Label (Shroud/106F) Code: N Notates a new part (not previously existing)
	777-4852	1		Decorative Label (Hubcaps/106F) Code: N Notates a new part (not previously existing)